

SKANTIC®
kitchen appliances

BLACK-series



TOASTER BST-01

- Variable browning control
- Self-adjusting centering of toast
- Cancel button
- Reheat function
- Defrost function
- LED indicators for settings
- Bun warmer
- Removable crumb tray for easy cleaning

Important instructions

1. Please read these instructions before operating and keep it for future reference.
2. To protect against electrical hazard do not immerse any part of the appliance or cord in water or any other liquid.
3. Close supervision is necessary when the appliance is near children.
4. Do not leave the appliance unattended when in use.
5. Always use the appliance on a dry, flat surface.
6. Do not use this appliance outdoors.
7. Always unplug from the plug socket when not in use and before cleaning.
8. Do not operate the appliance if damaged, after an appliance malfunctions or it has been damaged in any manner, return to the customer service department for repair, because special purpose tools are required.
9. In the interest of safety, regular periodic close checks should be carried out on the supply cord to ensure no damage is evident. Should there be any signs that the cord is damaged in the slightest degree, the entire appliance should be returned to the customer service department.

10. Do not let the cord hang over the edge of a table or counter or touch hot surfaces. Allow unit to cool before wrapping cord around base for storage.
11. Care must be taken not to touch any hot surfaces, do not store or cover the appliance until it has fully cooled down.
12. Do not place this appliance on or near a hot gas or electric burner, in or where it could touch a heated oven, or a microwave oven.
13. Do not use harsh abrasives, caustic cleaners or oven cleaners when cleaning this appliance.

14. Caution-bread may burn. When using this appliance, allow adequate air space above and on all sides for air circulation. Do not allow this appliance to touch curtains, wall coverings, clothing, dishtowels or other flammable materials during use. CAUTION is required on surfaces where heat may cause a problem-an insulated heat pad is recommended.
15. This appliance is for household use only. Do not use the appliance for anything other than intended use.
16. Do not use the toaster without the slide out crumb tray in place. The crumb tray should be cleaned regularly. Do not allow crumbs to build up in the tray.
17. Do not use this appliance with any foodstuff product containing sugar content or with

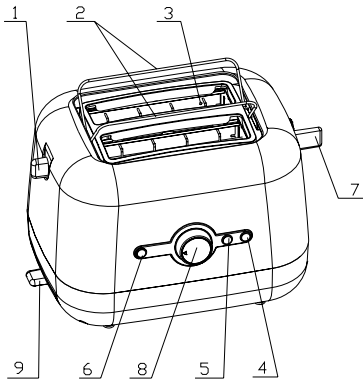
products containing jam or preserves.

18. The bread may burn, therefore do not use the toaster near or below combustible material, such as curtains.
19. If the supply cord is damaged, it must be replaced by the manufacturer, its service agent or similarly qualified persons in order to avoid a hazard.
20. This appliance is not intended for use by persons (including children) with reduced physical, sensory or mental capabilities, or lack of experience and knowledge, unless they have been given supervision or instruction concerning use of the appliance by a person responsible for their safety.
21. Children should be supervised to ensure that they do not play with the appliance.
22. The temperature of accessible surfaces may be high when the appliance is operating.

WARNING!!

1. This toaster is intended TO USE FOR BREAD ONLY. Never attempt to extract jammed toast, muffins, bagels or any other item with a knife or any other object, as contact with live elements may cause electrical shock or injury.
2. Allow the appliance to cool down, unplug and carefully remove the bread.
3. Keep electrical appliances out of reach from Children or infirm persons.
4. Do not let them use the appliances without supervision.

5. The temperature of accessible surfaces may be high when the appliance is operating.



Description

- 1. Bread frame control
- 2. Bread frame.
- 3. Variable width toasting slots.
- 4. Frozen button.
- 5. Cancel button.

6. Reheat button.
7. High lift bread release.
8. Electronic variable browning control.
9. Pull out crumb tray.

Operations

1. Insert the plug into a suitable mains supply socket and turn the power on.
2. Place up to two slices of bread into bread slots.
3. Select the desired browning setting, from No.1 to No.5 on the browning control knob.(No.1-lightest, No.5-darkest).

When using the toaster for the first time we suggest you toast on number 3. Varying types of bread and personal preference may require a different browning setting.

High lift: to remove smaller items such as crumpets and muffins, lift carriage control lever approximately 20mm above the starting position.

4. Push the carriage control lever down until it clicks into place. Toasting cycle will automatically

commence. Please note: if the toaster is not plugged in and switched on at the power point the carriage control lever will not click into place.

5. The toast pops up automatically when it is ready. The toasting process can be stopped at any time by pressing the cancel button.

Toasting frozen bread: To toast frozen bread, place the bread into the bread slots and select the desired browning Setting. Press the carriage control lever down until it clicks into place then press the Frozen Button.

Reheating toasted bread: To reheat toasted bread, place the toast into bread slots, lower the carriage control lever until it clicks into place and press the Reheat Button.

In the unlikely event that the bread or crumpet becomes jammed, switch the toaster off at the power outlet, remove the plug from the supply socket and carefully ease the bread out of the toaster, ensuring that you do not damage the element.

Care and cleaning

1. Always turn the power off, remove the plug and allow the toaster to cool before cleaning.

2. To remove any crumbs from the toaster, slide out the crumb tray from the base of the toaster, empty and replace in the toaster before using it again. To reduce the risk of fire, frequently remove the crumbs from toaster.
3. Wipe the outside of the toaster with a slightly dampened cloth and polish with a soft dry cloth. Do not immerse the unit in water.
4. To clean the interior, turn the toaster upside down over the sink and shake crumbs free. The crumb tray should be cleaned regularly. Do not allow breadcrumbs to accumulate in the bottom of the toaster.

Specification

Power supply: 220-240V 50/60Hz

Power consumption: 730-870W

Product dimension: 260(W) x180(H) x180mm (D)

Product net weight: 1.22kg

20090713

